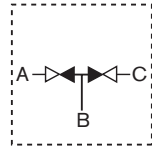
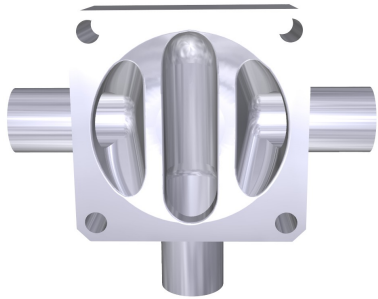


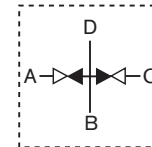
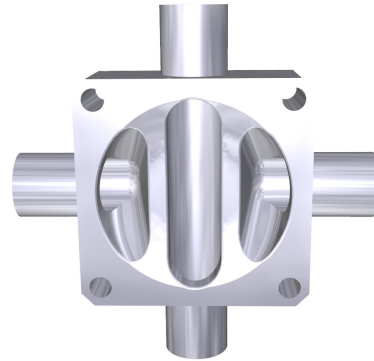
Robolux Multiway Multiport Diaphragm Valve

Interactive 3D Product Catalogue of standard body types

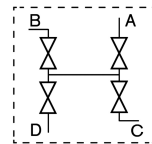
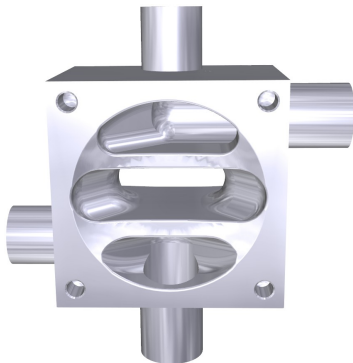
Robolux Body 3C2S
(3 Connections, 2 Seats)



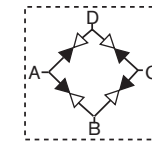
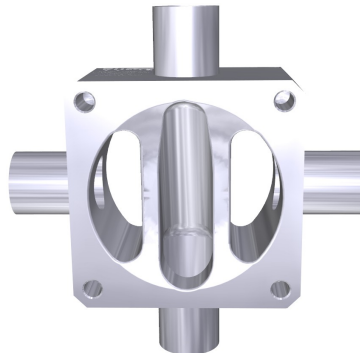
Robolux Body 4C2S
(4 Connections, 2 Seats)



Robolux Body 4C4S CF
(4 Connections, 4 Seats)



Robolux Body 4C4S DFP
(4 Connections, 4 Seats)



Note:
To be able to use the 3D functionality of this interactive 3D product catalogue, you need a Adobe® Reader at least version 8. Choose one of the body types by left clicking the symbol, then the 3D document then the 3D document is opened.