

Digital remote pH transmitter



- Panel or wall mounting version
- Compatible with most common pH sensors, directly connected
- Fully configurable pH transmitter for all kinds of pH-measurement tasks
- Multi language, menu-guided operation

Type 8205 can be combined with...



Type 8203 + 8200
pH sensor



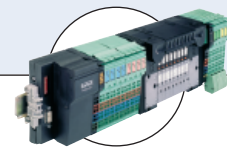
Type 6642
Solenoid valve



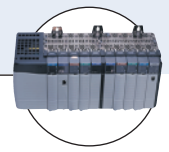
Type 8802
Process control valve



Type 2030
On/Off Diaphragm valve



Type 8644
Valve islands



PLC

The pH transmitter is available for panel or wall mounting.



■ The panel-mounted version consists of an electronic module 8205 integrated in a front-cover. The associated separate pH sensor consists of a pH probe Type 8203 mounted into a

Bürkert probe holder Type 8200 (max. 10 m) which can be installed into pipes by using INSERTION Type S020 fittings or using its own particular connection.

The output signals are provided on a terminal strip.



■ The wall-mounted version consists of an electronic module 8205 in an IP65 enclosure. The associated separate pH sensor consists of a pH probe Type

8203 mounted into a Bürkert probe holder Type 8200 (max. 10 m) which can be installed into pipes by using INSERTION Type S020 fittings or using its own particular connection.

The output signals are provided on a terminal strip via cable gland.

The simulation mode allows easy and fast verifying of the output signals prior to start up.

General data

Compatibility	Bürkert pH sensor
Materials	PC (panel-mounted version); ABS (wall-mounted version) Polyester / Stainless steel Cable glands PA
Display	15x60 mm, 8-digit LCD, alphanumeric, 15 segments, 9 mm high
Electrical connection	Terminals (panel-mounted version) or terminals via 5 cable glands M16x1.5 (wall-mounted version) shielded cable with 1.5 mm ² max. cross-section

Electrical data

Power supply	Panel-mounted version Wall-mounted version	12...30 V DC, filtered and regulated 12...30 V DC, filtered and regulated or 115/230 V AC - 50/60 Hz (see technical specifications 115/230 V AC)
Current consumption with sensor		≤ 80 mA - transmitter with relays ≤ 20 mA - transmitter without relay
Sensor input		Analog signal from pH probe and Pt1000
Cable length		max. 10 m (distance between sensor and transmitter)
Output		4...20 mA configurable (3-wire with relays, 2-wire without relay), proportional to pH or T°C max. loop impedance: 1000 Ω at 30 V DC; 750 Ω at 24 V DC; 250 Ω at 15 V DC 2 relays, freely configurable, 3A, 230 V AC
	Relays (option)	

Environment

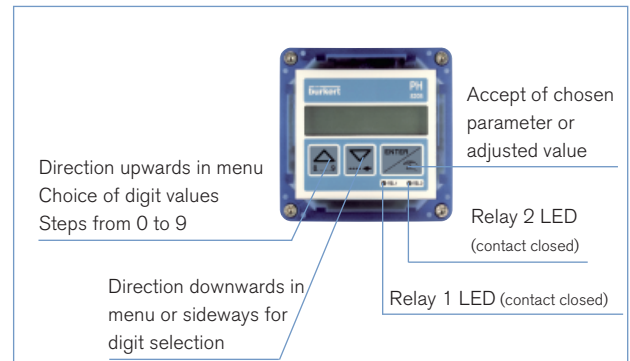
Ambient temperature	0°C to +60°C (32°F to 140°F) (Operation and storage)
Relative humidity	≤ 95%, without condensation

Standard	
Protection class	IP65 (panel-mounted and wall-mounted version) IP20 (panel-mounted version, inside the cabinet)
Standard and directives	EN 61000-6-3, EN 61000-6-2 EN 61010-1 EN 60068-2-6 EN 60068-2-27
Technical specifications 115/230 VAC	
Voltage available in the device	27 V DC regulated, max. current: 250 mA integrated protection: fuse 250 mA temporised power: 6 VA

Operation and display

Customized adjustments, such as measuring range, engineering units can be carried out menu-supported on site via a multilingual display. The operation is classified according to three levels:

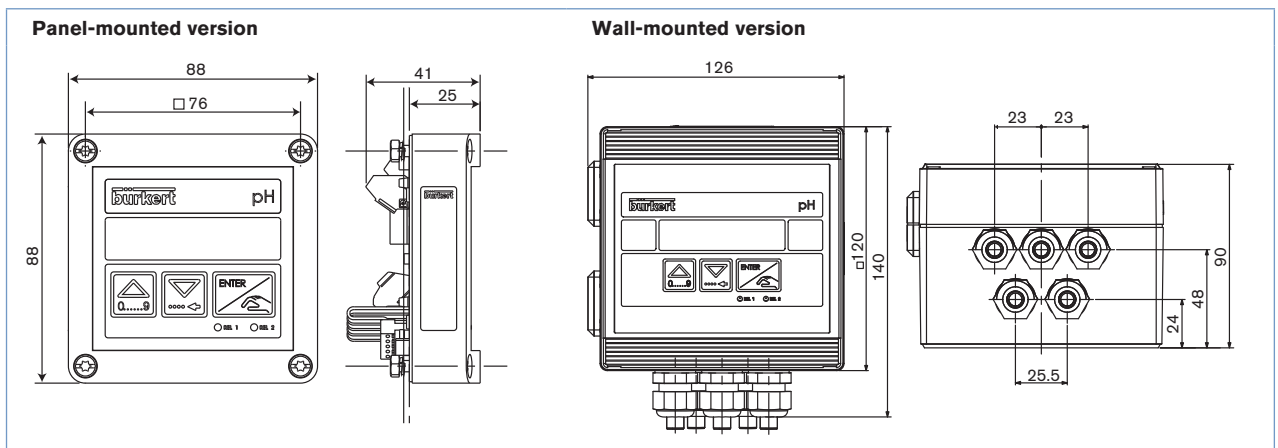
Main Menu	Calibration Menu	Test Menu
<ul style="list-style-type: none"> - pH - temperature - output current - electrode voltage - HOLD function - pH probe calibration 	<ul style="list-style-type: none"> - language - temperature unit - measuring range 4-20 mA - relay parameter definition - selection of temperature compensation (Pt1000 or manual) - selectable option allowing the operator to see the electrode voltage in the main menu - filter selection 	<ul style="list-style-type: none"> - Offset - Span - temperature adjustment - simulation of pH



Installation

The 8205 pH transmitter has to be installed into a cabinet or on a wall. A pH sensor from Bürkert must be associated with this pH transmitter. The pH sensor in its extended version can also be associated with an industrial immersion kit, which allows pH measurement into tanks or containers. The following lengths are available: 500, 1000, 1500, 2000 mm. Special lengths on request. The sensor consisting of a pH probe Type 8203 and a probe holder Type 8200 must be ordered separately (see separate data sheets Type 8200, Type 8203).

Dimensions [mm]



Ordering chart for transmitter Type 8205

A complete pH transmitter Type 8205 consists of a pH transmitter Type 8205 and a Bürkert pH sensor.

When you click on the orange box "More info.", you will come to our website for the resp. product where you can download the data sheet.

The following information is necessary for the selection of a complete device:

- **Item no.** of the desired pH transmitter **Type 8205** (wall-mounted or panel-mounted version - see ordering chart, below)
- **Item no.** of the desired pH sensor made of pH probe **Type 8203** [More info.](#) and probe holder **Type 8200** (see separate data sheet) [More info.](#)

→ You have to order the components separately.

pH transmitter Type 8205 panel or wall-mounted version

Specifications	Voltage supply	Output	Relays	Sensor version	Electrical connection	Item no.
Panel-mounted	12...30 V DC	4...20 mA	None	Type 8200	Terminal strip	427 937
			2	Type 8200	Terminal strip	427 938
Wall-mounted	12...30 V DC	4...20 mA	None	Type 8200	Cable glands	427 944
			2	Type 8200	Cable glands	427 945
	115/230 V AC	4...20 mA	None	Type 8200	Cable glands	427 949
			2	Type 8200	Cable glands	427 950

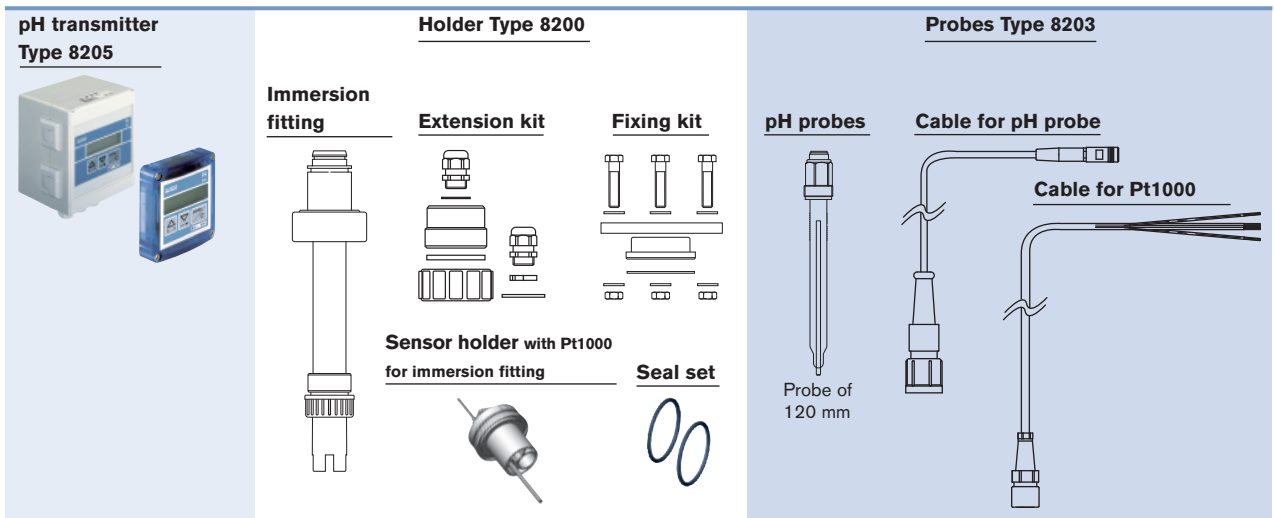
Tank installation with a pH transmitter Type 8205.

A pH transmitter Type 8205 for tank installation is made up of a pH transmitter Type 8205, an immersion kit which is consisting of an immersion fitting, an extension kit for immersion fitting, a fixing kit (flange DN65 with stainless steel screws), a sensor holder with Pt1000, an pH probe, a shielded cable for pH, a shielded cable for Pt1000 and a seal

The following information is necessary for the selection of a complete device:

- **Item no.** of the desired remote pH transmitter **Type 8205** (wall-mounted or panel-mounted version - see ordering chart, above)
- **Item no.** of the immersion fitting (see separate data sheet Type 8200)
- **Item no.** of the extension kit for the immersion fitting (see separate data sheet Type 8200)
- **Item no.** of the fixing kit (flange DN65 with stainless steel screws - see separate data sheet Type 8200) [More info.](#)
- **Item no.** of the sensor holder with Pt1000 (see separate data sheet Type 8200)
- **Item no.** of the seal set if EPDM desired (see separate data sheet Type 8200)
- **Item no.** of the 120 mm pH probe (see separate data sheet Type 8203)
- **Item no.** of the shielded cable for pH (see separate data sheet Type 8203) [More info.](#)
- **Item no.** of the shielded cable for Pt1000 (see separate data sheet Type 8203)

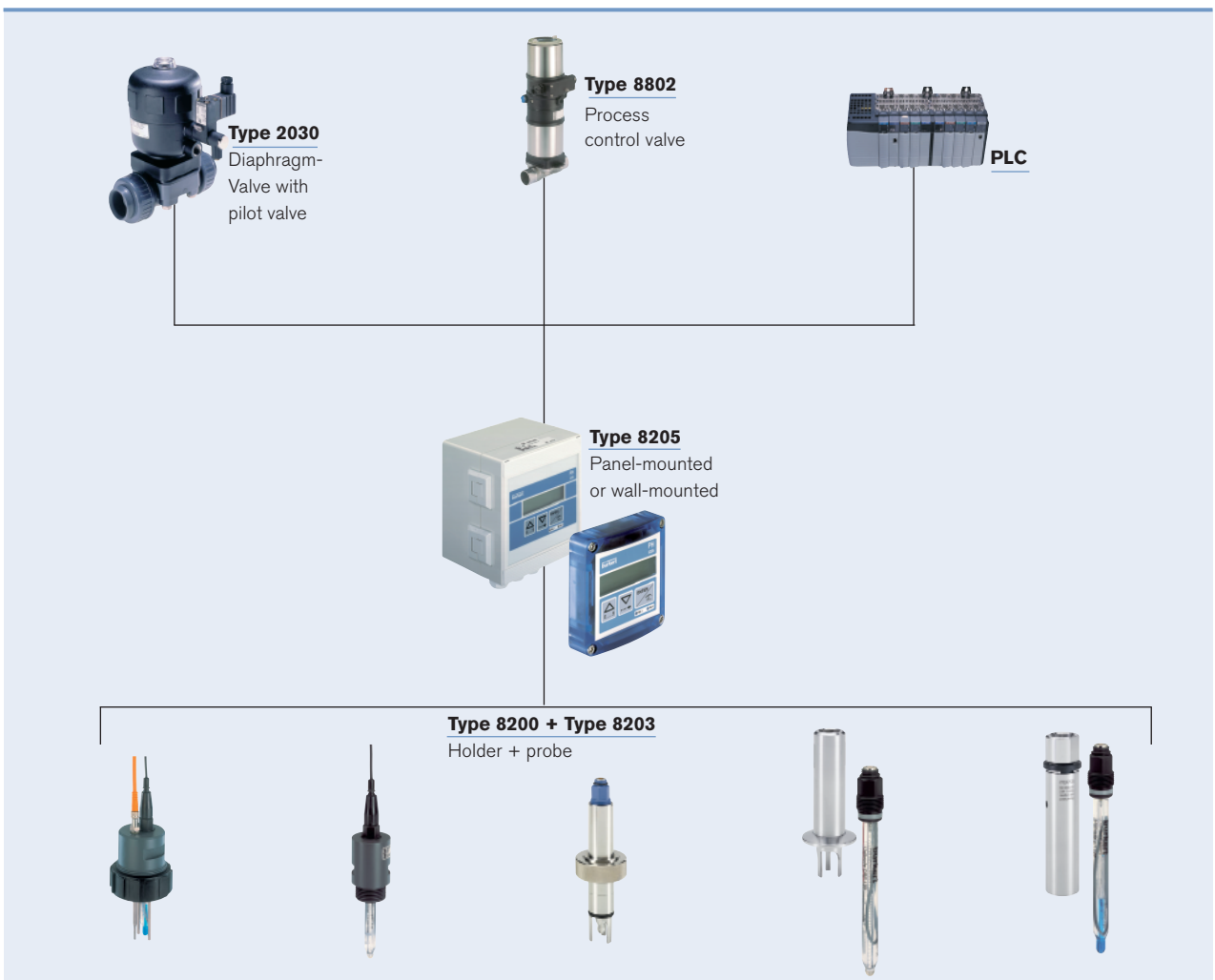
→ You have to order the components separately.



Ordering chart for accessories for pH transmitter Type 8205

Description	Item no.
Set with 2 cable glands M20x1.5 + 2 neoprene flat seals for cable gland or plug + 2 screw-plugs M20x1.5 + 2 multiway seals 2x6 mm	449 755
Set with 2 reductions M20x1.5 /NPT1/2" + 2 neoprene flat seals for cable gland or plug + 2 screw-plugs M20x1.5	551 782
Set with 1 stopper for unused cable gland M20x1.5 + 1 multiway seal 2x6 mm for cable gland + 1 black EPDM seal for the sensor + 1 mounting instruction sheet	551 775

Interconnection possibilities with other Bürkert devices



DTS 1000011104 EN Version: R Status: RL (released | freigegeben | valide) printed: 11.01.2012

To find your nearest Bürkert facility, click on the orange box →

www.burkert.com

In case of special application conditions, please consult for advice.

Subject to alteration.
© Christian Bürkert GmbH & Co. KG

1201/14_EU-en_00891800