




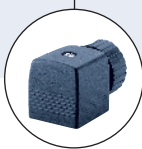


2/2-way Solenoid Valve with servo-diaphragm

- Universal version up to 232 PSI
- NBR, EPDM or FKM servo-diaphragms
- Waterhammer-free, low noise
- NC circuit function
- Brass and stainless steel body
- Threaded port or flange connections
- Approvals:     

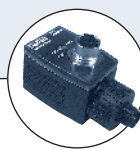
Type 5281 can be combined with...



Type 2508
Cable plug



Type 1078
Timer unit



Type 2511
ASI cable plug



Type 8600
Dosing control

Servo-assisted solenoid valve with servo-diaphragm for the control of liquid or gaseous media. A pressure difference of 2.9 PSI is required for a complete switchover.

| Power consumption | | |
|----------------------|---------------------------------|---|
| Inrush AC [VA] | Hold (hot coil) AC [VA/W] | |
| | DC [W] | |
| 24 | 14/8 | 8 |

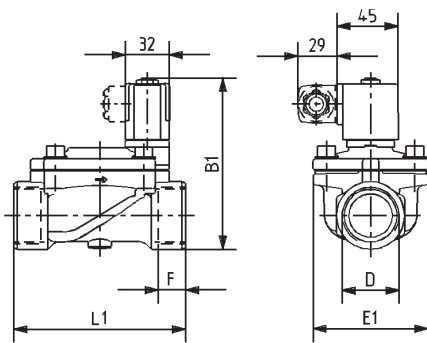
| Technical data | |
|------------------------------------|--|
| Orifice | 1/2" - 2" (DN 13 - 50 mm) |
| Body material | |
| Threaded port | Brass |
| Flange | Grey cast iron |
| Inner part valve | Stainless steel, brass |
| Seal material | NBR, EPDM, FKM |
| Media | |
| NBR | Neutral media, such as compressed air, water |
| EPDM | Oil and fat-free media |
| FKM | Hot air, oxygen, per-solutions |
| Media temperature | |
| NBR | 14°F to 176°F (-10°C to +80°C) |
| EPDM | -40°F to 248°F (-40°C to +120°C) |
| FKM | 14°F to 248°F (-10°C to +120°C) |
| Ambient temperature | Max. 131°F (+55°C) |
| Voltage tolerance | ±10 % |
| Duty cycle | Continuous operation 100% ED |
| Electrical connection | Tag connector acc. to DIN 43650 Form A for cable plugs Type 2508 (see Accessories) |
| Protection class | IP 65 with cable plug |
| Installation | As required, preferably with actuator upright |
| Response times¹⁾ | 0.1 - 4 seconds (depending on orifice, pressure and viscosity) |

1) Measured at valve outlet at 87 PSI and 68°F (+20°C).

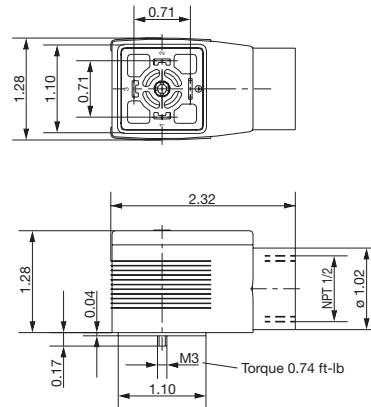
Opening: pressure build-up 0 to 90%, Closing: pressure relief 100 to 10%

Dimensions [mm]

Threaded port version



Type 2509 dimensions [mm]



Threaded port

| DN | D | B1 | B1* | E1 | F | L1 |
|----|-----------|-------|-------|-----|----|-----|
| 13 | NPT 1/2 | 100.0 | 120.0 | 40 | 14 | 65 |
| 20 | NPT 3/4 | 107.5 | 127.5 | 60 | 16 | 100 |
| 25 | NPT 1 | 116.0 | 136.0 | 70 | 18 | 115 |
| 32 | NPT 1 1/4 | 126.5 | 146.5 | 85 | 20 | 126 |
| 40 | NPT 1 1/2 | 135.5 | 155.5 | 85 | 22 | 126 |
| 50 | NPT 2 | 157.2 | 177.2 | 115 | 24 | 164 |

B1* Version with manual override, available on request

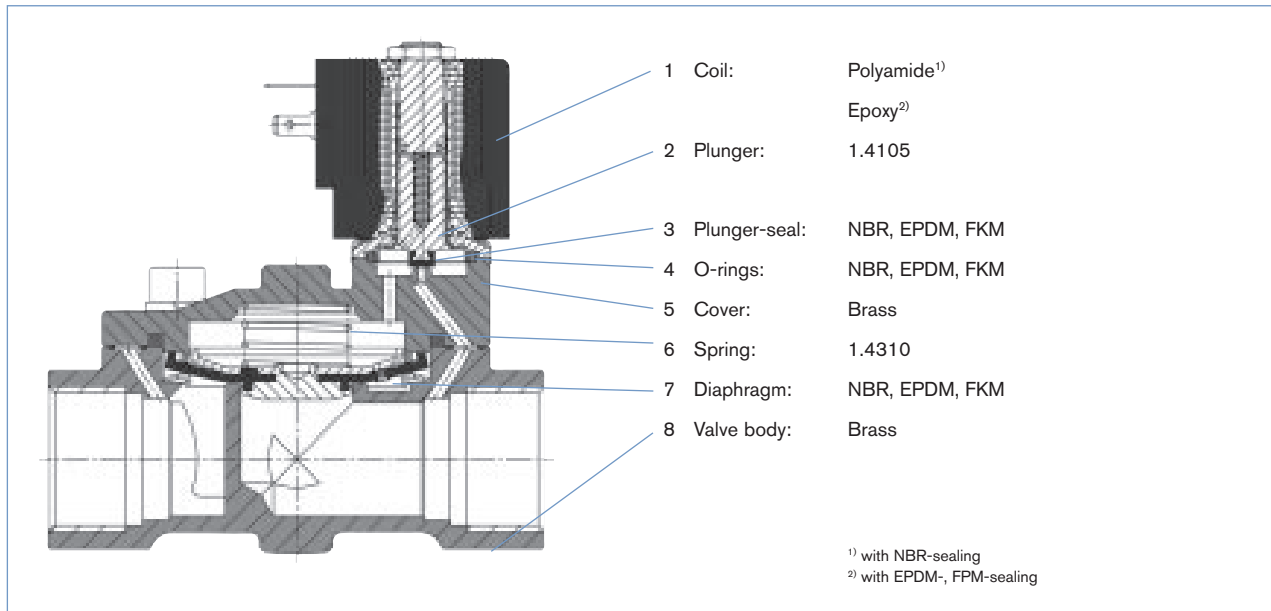
Ordering chart for valves (other versions on requests)

Circuit function A (Type 5281, normally closed), brass body, supplied with cable plug

| Circuit function | Orifice [mm] | Port connection | C _v value water [GPM] | Pressure range [PSI] | Voltage/frequency [V/Hz] | Item no. UL listed / FM C1 Div1 / CSA / w/Type 2509 1/2 conduit connection | Item no. UL recognized w/Type 2508 DIN cable plug |
|-------------------------------|--------------|-----------------|----------------------------------|----------------------|--------------------------|--|---|
| A 2/2-way valve NC | 13 | NPT 1/2 | 4.7 | 2.9 – 230 | 024/VDC | 457 395 | 456 864 |
| | | | | | 024/60 | 457 396 | 456 865 |
| | | | | | 120/60 | 457 397 | 456 866 |
| | | | | | 240/60 | 457 398 | 456 867 |
| | 20 | NPT 3/4 | 5.8 | 2.9 – 230 | 024/VDC | 457 399 | 456 868 |
| | | | | | 024/60 | 457 400 | 456 869 |
| | | | | | 120/60 | 457 401 | 456 870 |
| | | | | | 240/60 | 457 402 | 456 871 |
| | 25 | NPT 1 | 11.7 | 2.9 – 230 | 024/VDC | 457 403 | 456 872 |
| | | | | | 024/60 | 457 404 | 456 873 |
| | | | | | 120/60 | 457 405 | 456 874 |
| | | | | | 240/60 | 457 406 | 456 875 |
| | 32 | NPT 1 1/4 | 23.5 | 2.9 – 230 | 024/VDC | 457 407 | 456 876 |
| | | | | | 024/60 | 457 408 | 456 877 |
| | | | | | 120/60 | 457 409 | 456 878 |
| | | | | | 240/60 | 457 410 | 456 879 |
| | 40 | NPT 1 1/2 | 23.5 | 2.9 – 230 | 024/VDC | 457 411 | 456 880 |
| | | | | | 024/60 | 457 412 | 456 881 |
| | | | | | 120/60 | 457 413 | 456 882 |
| | | | | | 240/60 | 457 414 | 456 883 |
| | 65 | NPT 2 | 47.1 | 2.9 – 230 | 024/VDC | 457 415 | 456 884 |
| | | | | | 024/60 | 457 416 | 456 885 |
| | | | | | 120/60 | 457 417 | 456 886 |
| | | | | | 240/60 | 457 418 | 456 887 |

Note: Versions with manual override available on request. FKM and EPDM seals are also available on request.

Materials



i Further versions on request



Approvals

UL/UR/CSA, ATEX-Ex, UL-fire protection, European gas approval



Voltage

110/50, other non-standard voltages

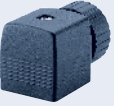


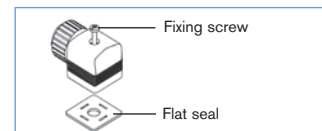
Port connection

NPT, Rc

Ordering chart for accessory

Cable plug Type 2508 according to DIN EN 175301-803 Form A

|  | Circuitry | Voltage / frequency | Item no. |
|---|--|---------------------|----------|
| | None (standard) | 0 - 250 V AC/DC | 008 376 |
| | further versions see datasheet Type 2508 | | |



The delivery of a cable plug includes the flat seal and the fixing screw. For other cable plug versions acc. to DIN EN 175301-803 Form A (previously DIN 43650), see separate datasheet Type 2508.