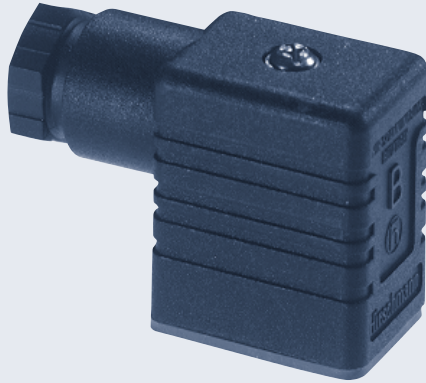


Industry standard Cable Plug, Form B

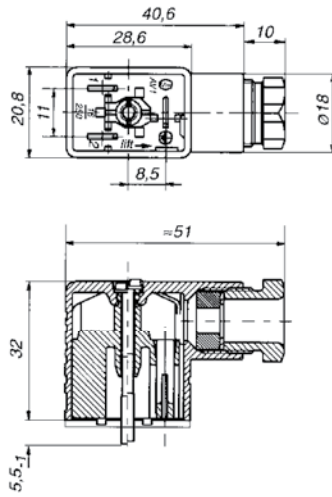


- Also available with LED indicator
- Protection class IP 65
- Contact form 11 mm

Plug for the connection of electrical components
Industry standard, Form B.

Technical data	
Body material	Polyamide
Contact material	Brass, electro-silver-plated
Max. continuous temperature	194°F (+90°C)
Cable diameter	4.5 - 7 mm
Cable outlet	Straight
Functional display	LED, color red
Nominal voltage	0 to 250 V
Contact resistance	5 mΩ
Electrical connection	Terminal screws max. 0.75 mm ²
Protection class	IP 65
Insulation group	3
Number of terminals	2 pins + protective earth

Dimensions [mm]



Ordering chart

The delivery of a cable plug includes the flat seal and fixing screw.

Voltage	Current rating	Item no. without cable
Without circuitry		
0 to 250 V/AC/DC	max. 6 A	423 845
With LED		
24 V/AC/DC	max. 6 A	423 849
With LED and rectifier		
24 V/DC	max. 1.5 A	423 851

